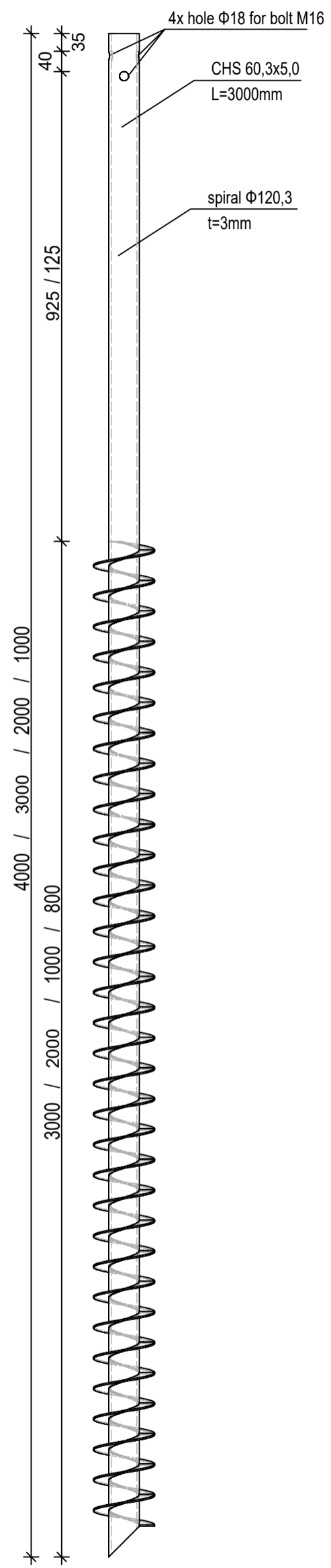
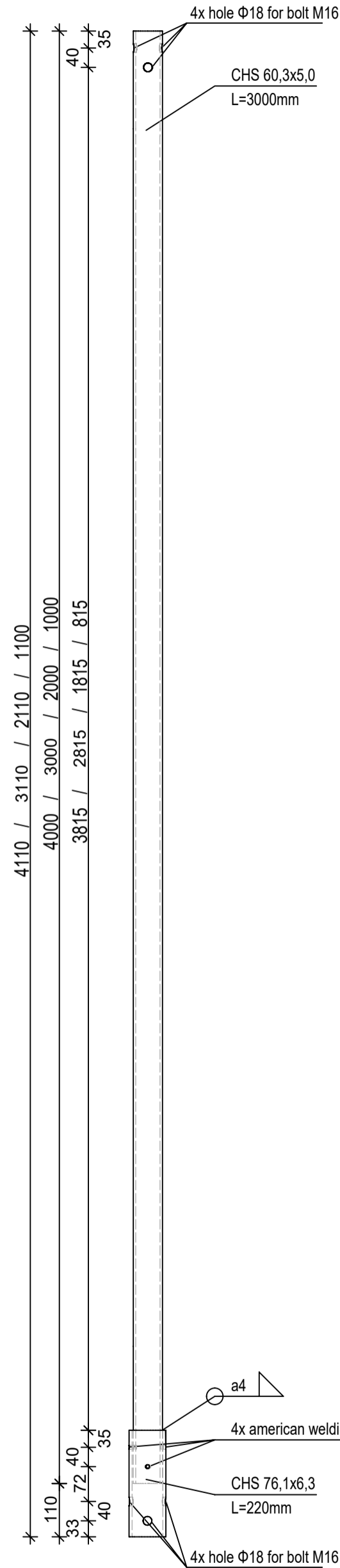


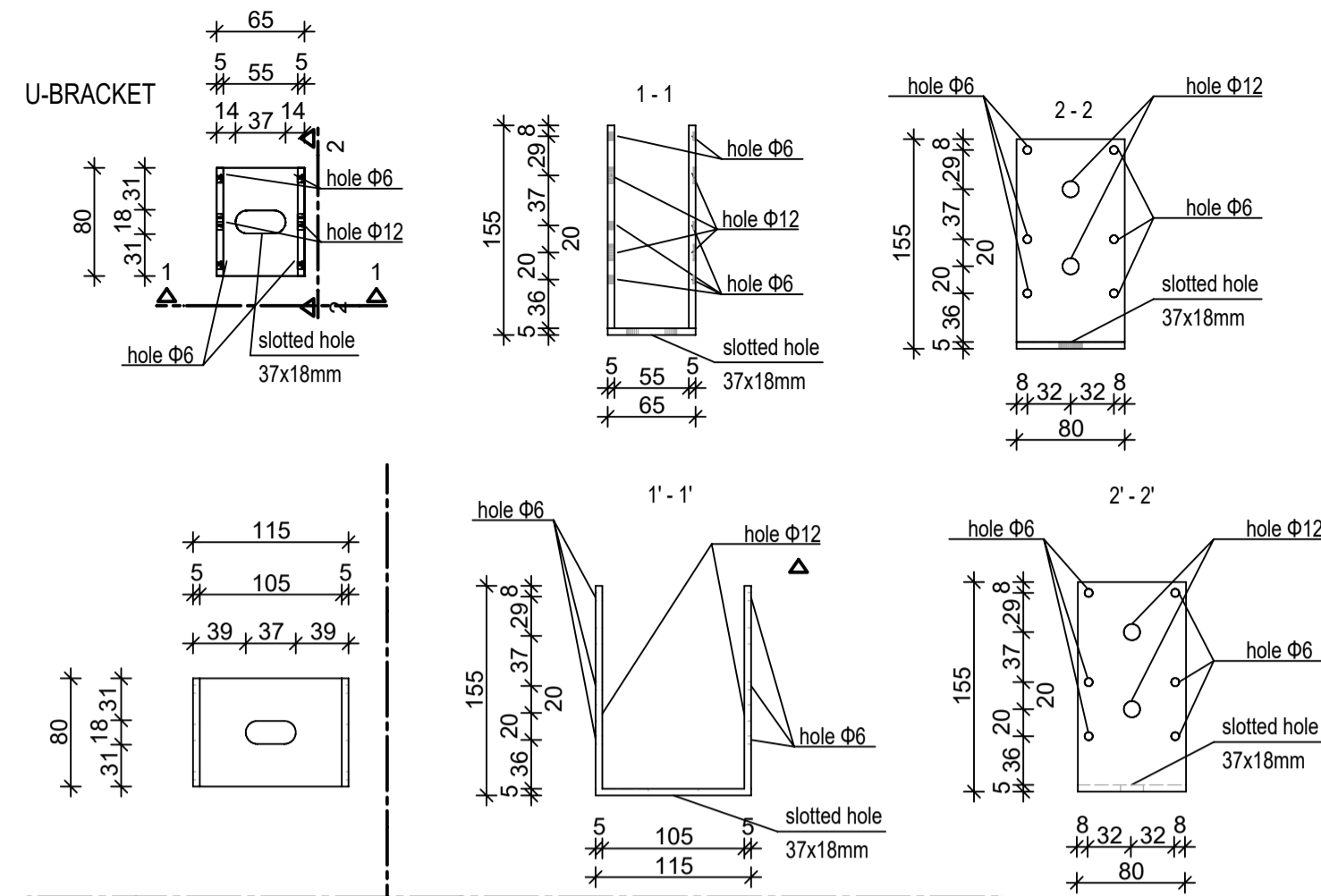
STARTER



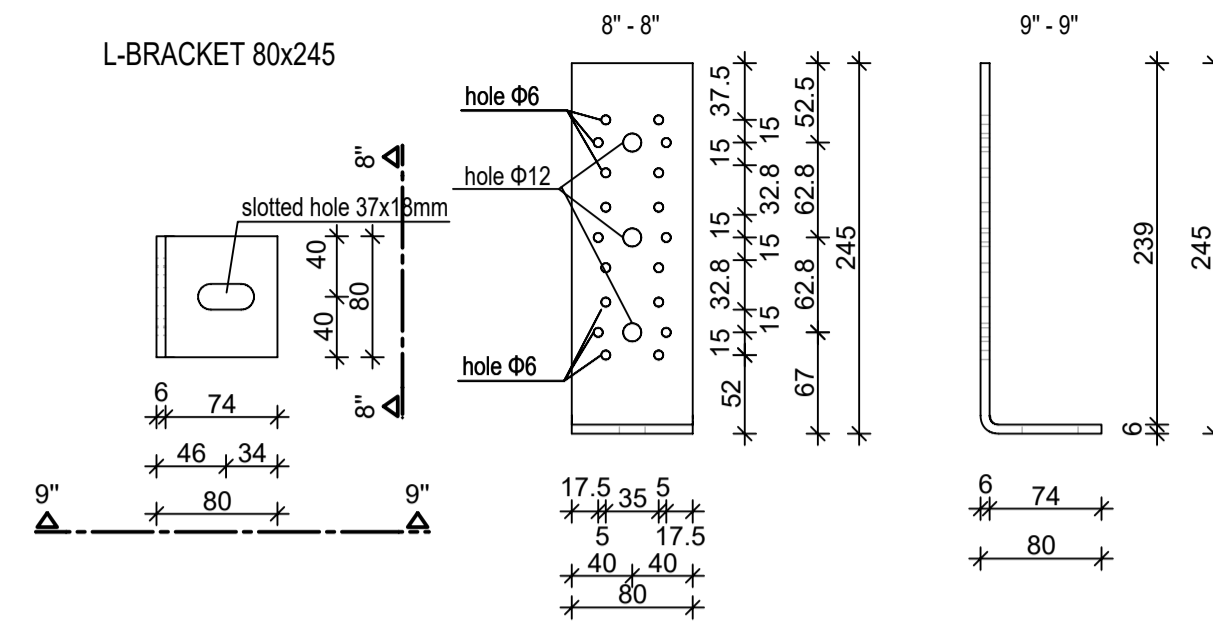
EXTENSIONER



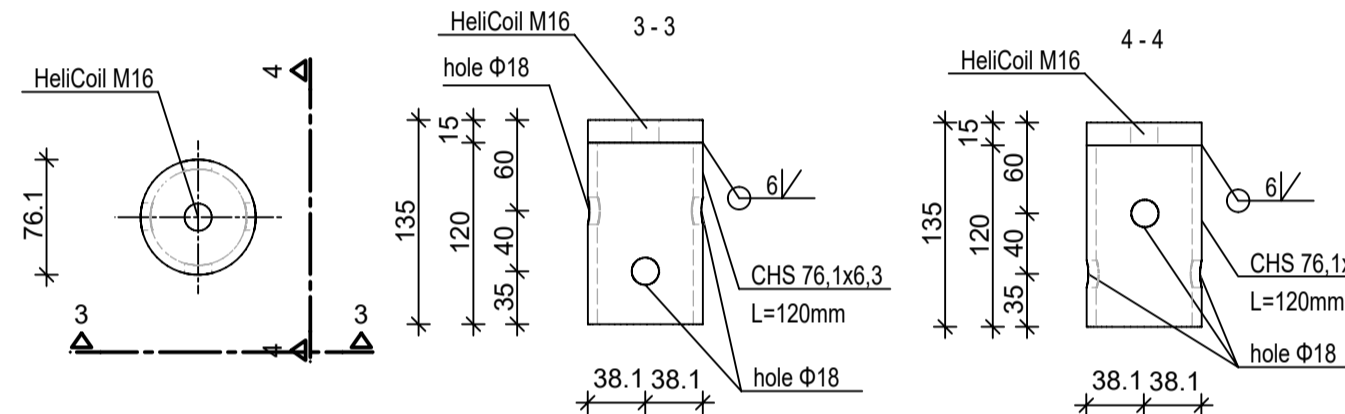
U-BRACKET



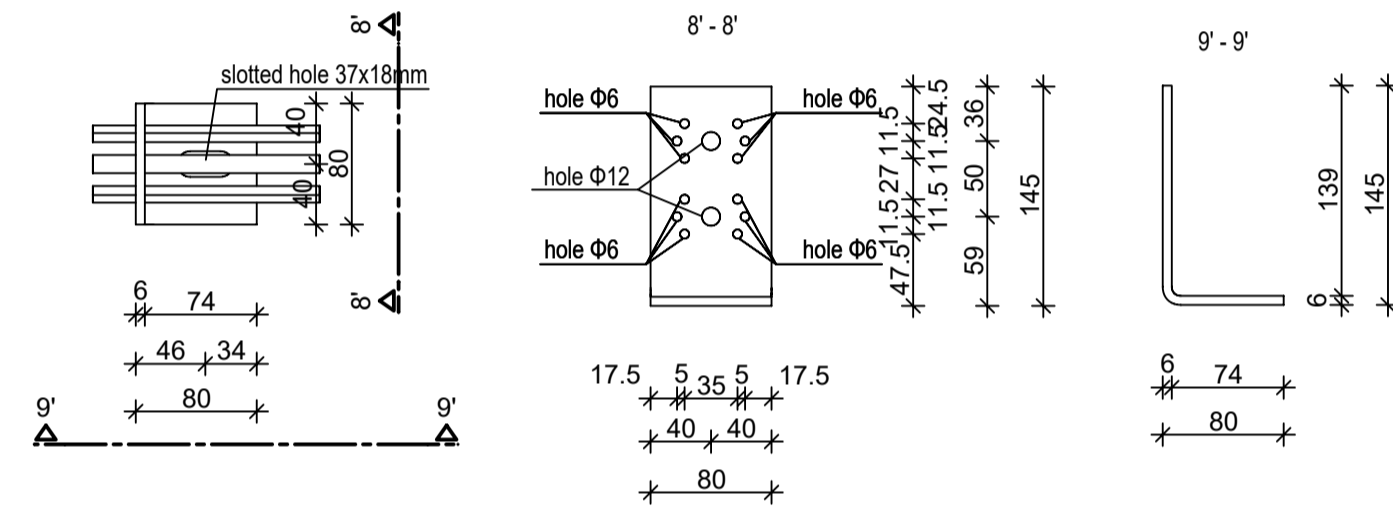
L-BRACKET 80x245



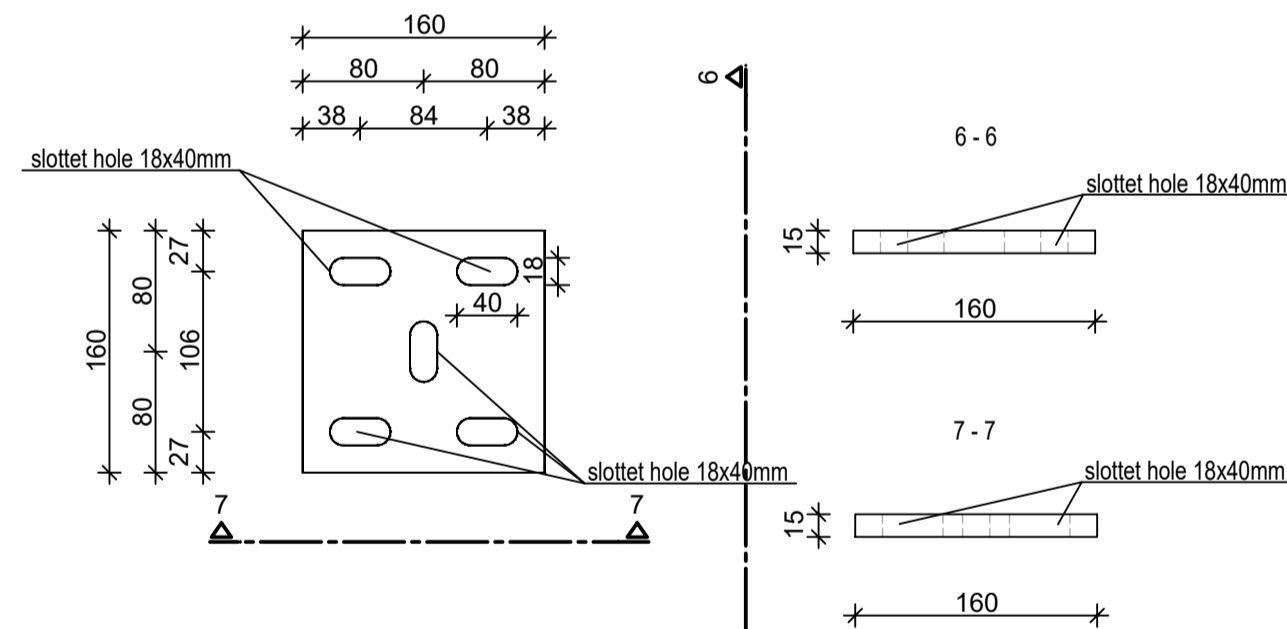
CONNECTOR



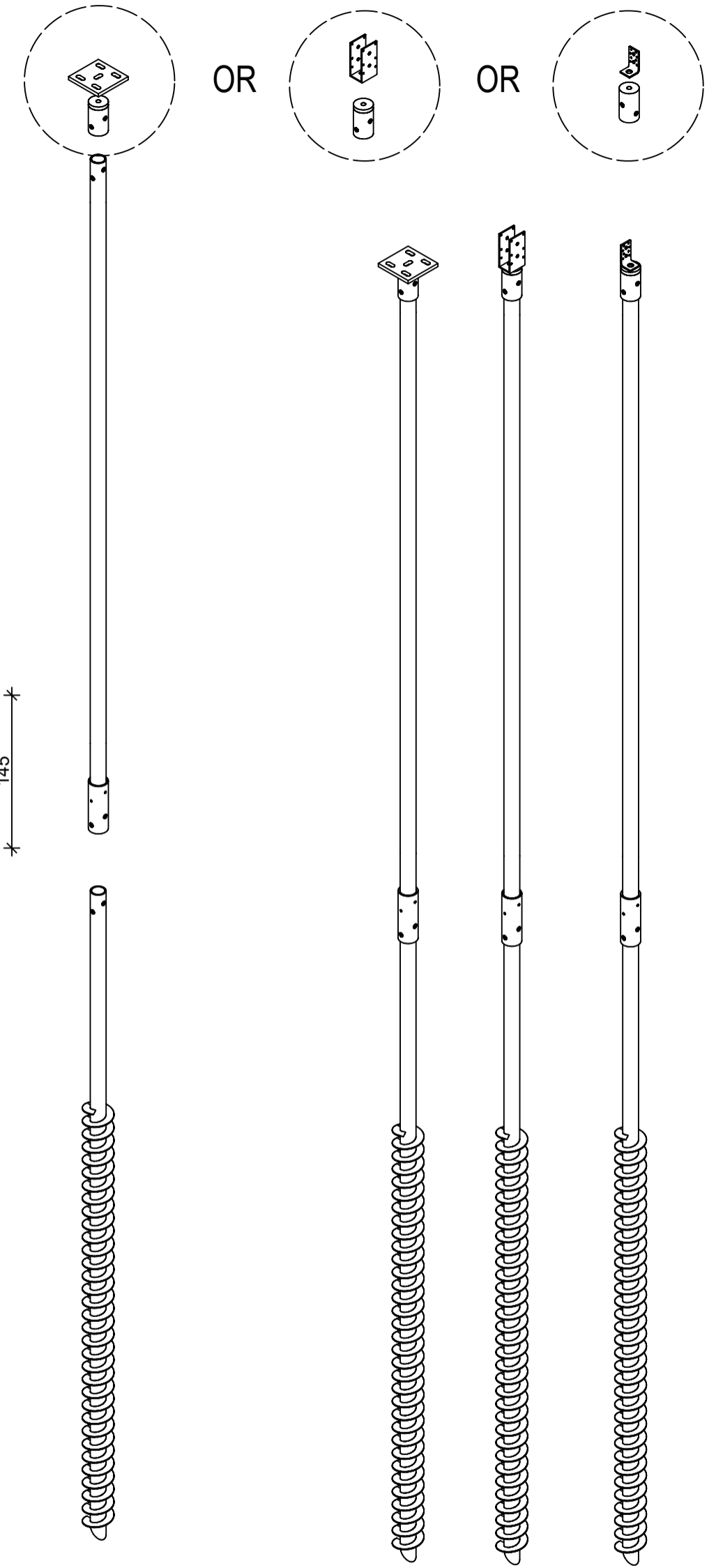
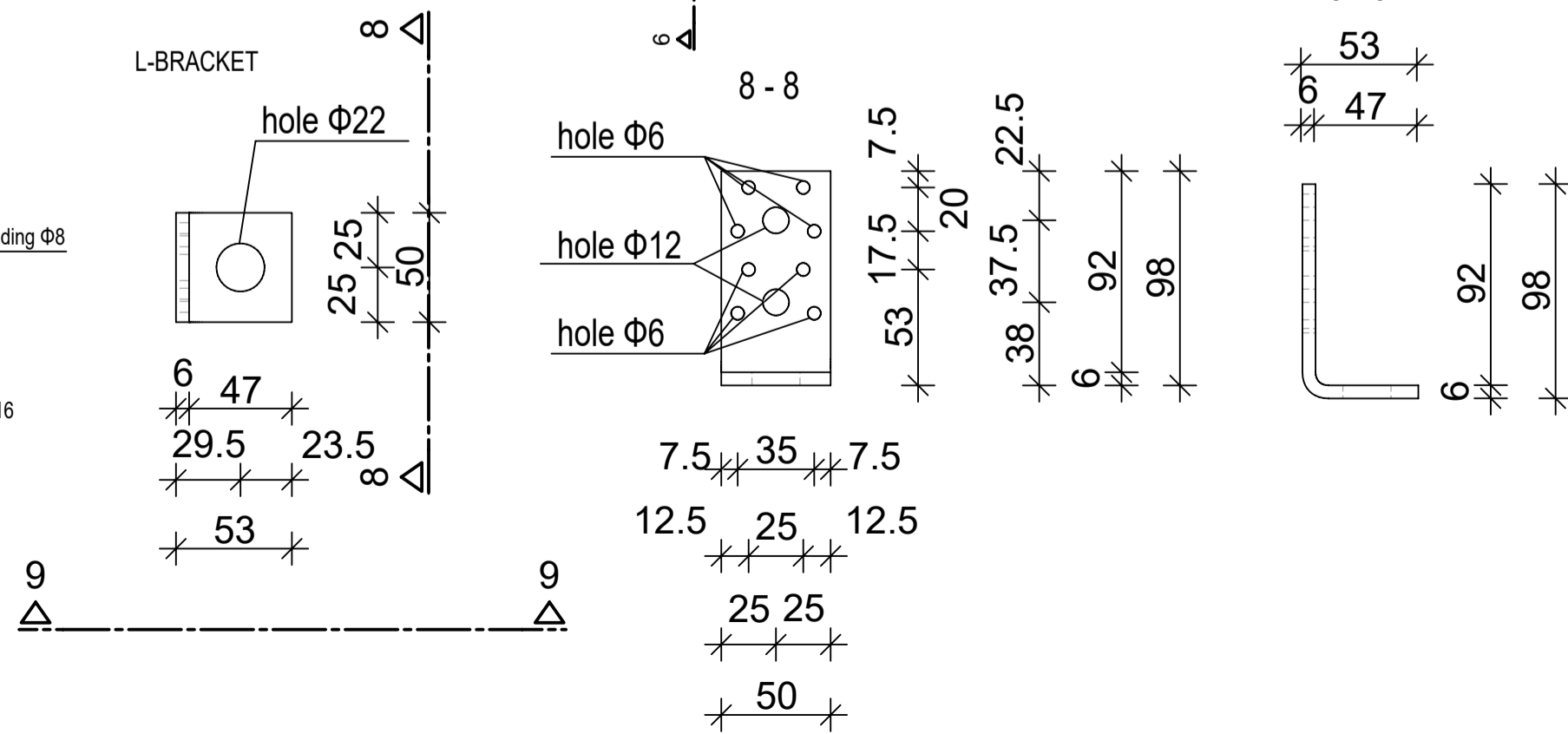
L-BRACKET 80x245



TOP PLATE



L-BRACKET



Design company				
GROUND PLUG® CONFIDENTIAL				
Object name: PIIEx Pro 60,3 - sales drawing				
Part: PIIEx 60,3	Number of drawing: 01/6	Finish: HDG	Date: 09/2022	
Product/Title: PIIEx 60,3	Material/Steel grade: S355	Sub-grade:	Scale: 1:10 1:20	Format: 420x700
Design: Robert Cybulski	Signature:	Tolerances acc. to: PN-EN ISO 9013:2008 PN-EN ISO 13920:2000 HDG acc. to EN 1461 EXC2		
Check: Justyna Klaja	Signature:			
Draw: Justyna Klaja	Signature:			